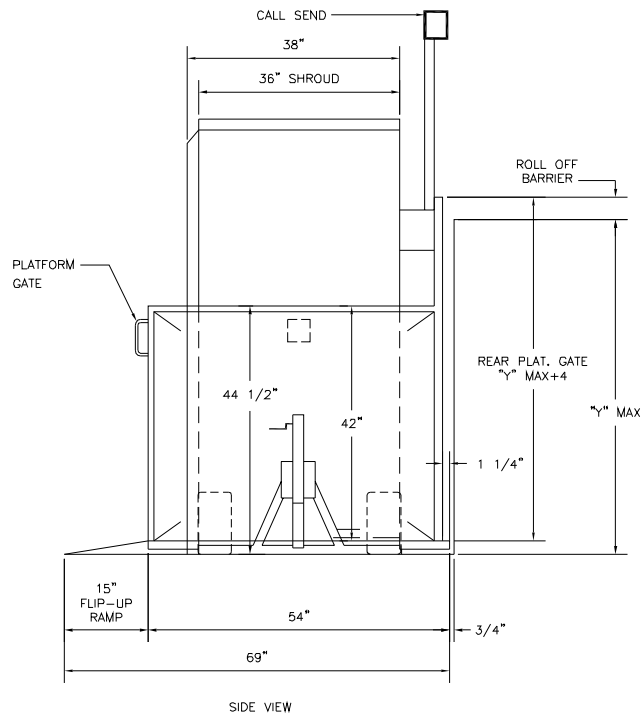
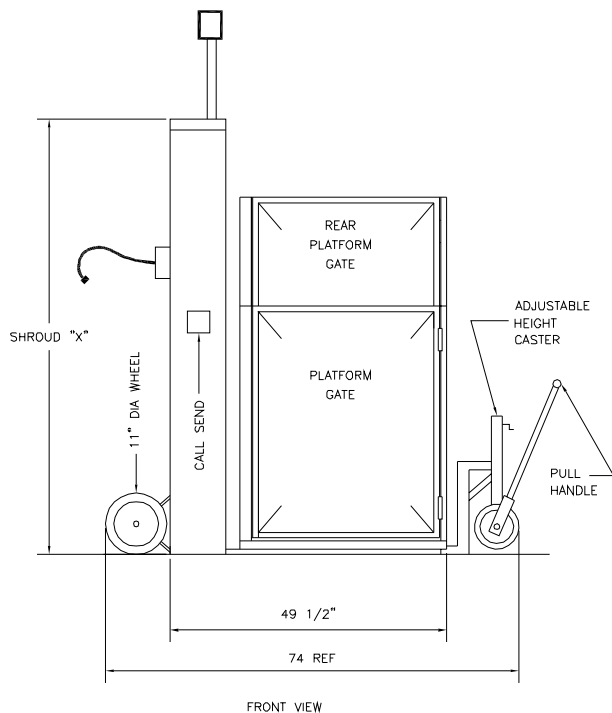
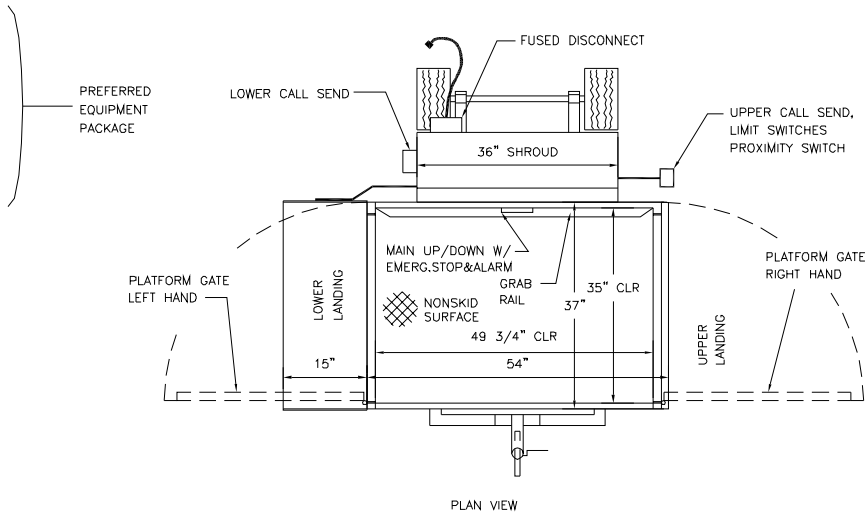


PORTABLE UNITS

- BASE UNIT
- PORTABLE PKG (INCL. REM
- "A" FRAME & 11" WHEELS
- EMERG.STOP & ALARM
- GRABRAIL
- PLATFORM GATE
- REAR PLATFORM GATE ("Y"
- MAX +4)
- FUSED DISC. & POWER CORD
- 2 SURFACE CALL SENDS
- MOUNT LOWER CALL TO SHROUD
- MOUNT UPPER CALL
- EXTERNAL ADJ.LIMIT SWITCHES
- UPPER LANDING PROX.SWITCH
- UPPER ELEC.STRIKE REQ'D FOR
- PLAT.GATE HINGE SHROUD SIDE



MODEL	"X" IN.	"Y" IN.	DIMENSIONS SUBJECT TO CHANGE WITHOUT NOTIFICATION.		NATIONAL WHEEL-O-VATOR	
BC-42	63	45			509 W. FRONT ST. ROANDKE, ILLINOIS 61561 1-800-551-9099	
BC-60	81	63			JANUARY 2003	
					MODEL: BC SHROUD LEFT 3 WHEEL PORTABLE	DRAWING NUMBER: CC-1240
ALL DIMENSIONS SUBJECT TO STANDARD INDUSTRY TOLERANCES UNLESS OTHERWISE SPECIFIED.						